

CONVECTAIR

IMPORTANT
to be kept by the user

CALYPSO

INSTALLATION AND OPERATING INSTRUCTIONS FOR THE BATHROOM HEATER 7825-B15



Dear OWNER,

Congratulations on the purchase of this new premium electric heater from CONVECTAIR, manufacturer of the highest quality heating products in the electrical industry.

To obtain the best results and the ultimate in performance and comfort please carefully consult the installation and maintenance instructions shown in this manual.



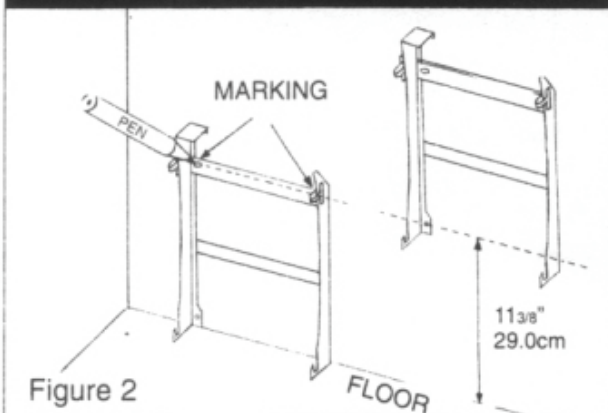
WARNING



PLEASE READ CAREFULLY: These instructions are essential to the safe installation and operation of this Convectair heater.

- 1- Your heater must be energized by a 120V power outlet.
- 2- This Convectair heater could become very hot when in use. Please use extra caution with young children or persons sensitive to heat.
- 3- Do not insert or allow foreign objects to enter in the openings on the front of the unit, as this may cause an electric shock, fire, or damage to the heater.

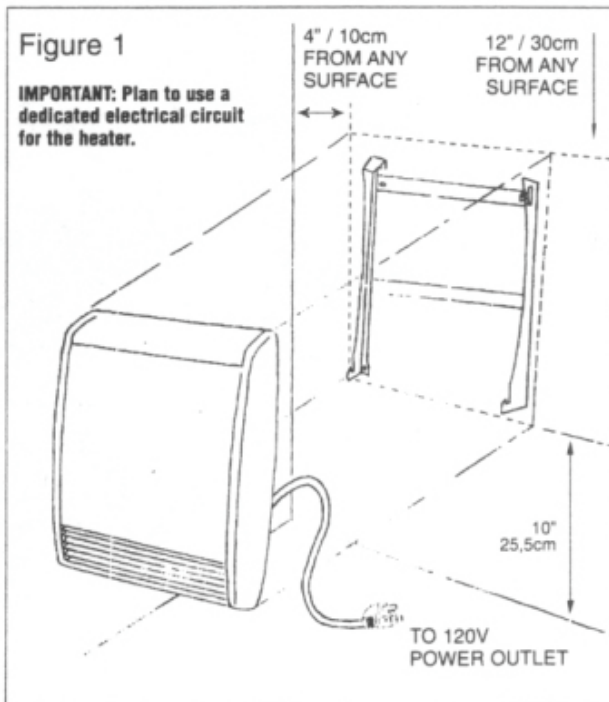
USE MOUNTING BRACKET AS A TEMPLATE FOR MARKING



- 4- To prevent any dangerous overheating, do not deposit cloths directly on the unit. Keep combustible materials, such as drapes, blinds, etc. away from the heater. Do not install behind doors, furniture, boxes or clothing.
- 5- This heater is equipped with a heating element that becomes very hot. Do not install or use it in areas where gasoline, paint or flammable liquids are stored.
- 6- Use this heater only as described in this manual. Any other use not recommended by Convectair may cause fire, electric shock, or injury to persons.

PLANNING INSTALLATION:

- 1- Choose the location where the CALYPSO will be installed.
- 2- Check that nothing interferes with the airflow to and from the unit, see required clearances (Figure 1).



INSTALLATION:

- 1- Free mounting bracket by pressing and pulling both locking mechanism on upper back part of the unit.
- 2- Use the mounting bracket as a template by holding it against the wall flush to the floor. Use the upper fasteners to locate the bottom fasteners (Figure 2).
- 3- Relocate the mounting bracket to match the marks with the holes for the bottom fasteners and adjust it using a level.
- 4- Mark the upper fasteners and pre drill holes for fastening.
- 5- We suggest the use of 4 "E-Z Ancor" fasteners or equivalent.
- 6- Replace mounting bracket and fasten it with screws.



WARNING



WIRING:

This product is rated 12.5 amps (1500W) at 120V, 60Hz.

This unit is equipped with a three-wire grounding type AC plug. This plug will only fit into a grounding-type power outlet. This is a safety feature. If you are unable to insert the plug into the outlet, contact your electrician to have a suitable outlet installed. Do not defeat the safety purpose of the grounding plug.

This heater draws 12.5 amps during operation. To prevent overloading a circuit, do not plug the heater into a circuit that already has other appliances working.

Avoid the use of an extension cord because the extension cord may overheat and cause risk of fire. However, if you have to use an extension cord, the cord should be a 14 AWG minimum size and rated 15amp, 125Volts.

OPERATION:

NOTE: For your convenience, two stickers with operation instructions (english and french) are provided. Please stick the appropriate one inside the control cover.

The CALYPSO has an ON/OFF switch and two operating modes (Figure 3):



- Thermostat controlled heating 750W



- Timer controlled fast heating 1500W

Heating mode:

When the unit is on, the electronic thermostat controls the heating (750W). To set the thermostat, adjust the setting dial to the comfort zone (between 5 and 7).

Degree fahrenheit and celsius equivalence for thermostat dial numbers;

| ° | 1 | 2 | 3 | 4 | 5 | 6 | 7 | 8 | 9 |
|-------|-------|-------|-------|-------|-------|-------|-------|-------|-------|
| ±44°F | ±48°F | ±52°F | ±55°F | ±59°F | ±64°F | ±70°F | ±75°F | ±81°F | ±84°F |
| ±7°C | ±9°C | ±11°C | ±13°C | ±15°C | ±18°C | ±21°C | ±24°C | ±27°C | ±29°C |

After approximately one hour of operation, adjust the desired temperature if necessary by slightly turning the sitting dial clockwise to increase temperature and counterclockwise to reduce temperature.

When the CONVECTAIR is on the heating is cycling. The indicating light  tells you when heat is on.

Fast heating mode:

This mode allows a fast temperature rise (1500W). When the timer is turned on the heating becomes continuous, without cycling, for the chosen period of time (0 to 30 minutes). The timer can be brought back manually to 0 before the end of the cycle, in order to interrupt the fast heat.

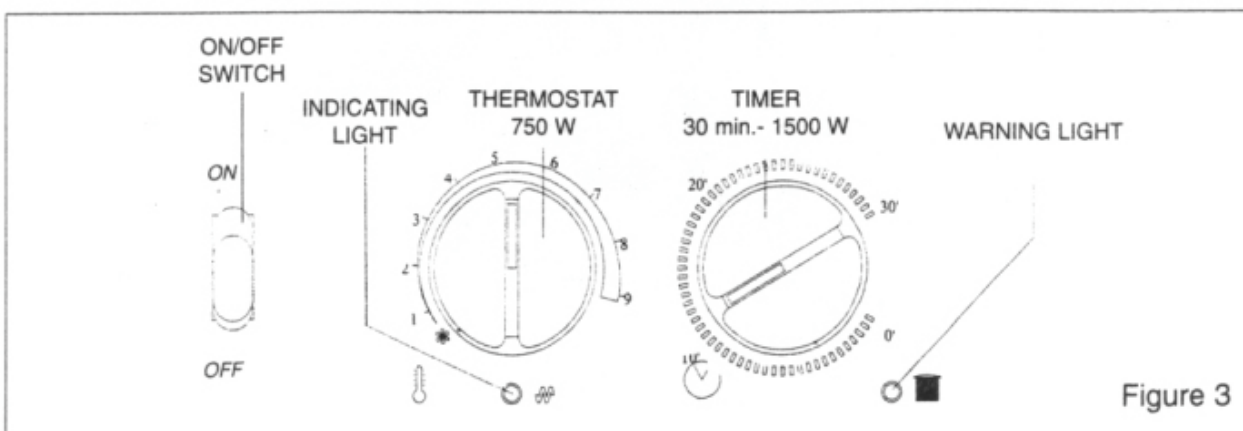


Figure 3

TEMPERATURE LIMITING CONTROL:

In case of malfunction (blocked air output or intake, or clogged filter) the warning light will turn on and the unit will stop automatically. After correcting malfunctions the unit can be reset (see Filter).

DO NOT COVER THE TOP OF THE UNIT WITH WET TOWELS OR OTHER OBJECTS.

FILTER:

The CALYPSO is equipped with a filter to reduce dust intake by the unit.

When the filter is clogged up, the warning light turns on and the unit shuts off automatically (Figure 3). Clean the filter and reset the heater as follows:

- 1- Switch heater OFF.
- 2- Remove the filter (accessible from the top of the unit)
- 3- Remove the accumulated dust on the filter.
- 4- Replace the filter.
- 5- **Wait 2 minutes before switching ON again.**

MAINTENANCE:

To keep your unit clean, regular maintenance is suggested. To remove dust, use a soft cloth. To remove a stain, use a damp cloth. Never use abrasive products which could damage finish.

After a while, the warning light may go on even if the filter is not clogged up. In such case the unit may require internal cleaning. Please contact one of our repair centers or call CONVECTAIR.

WARNING: In certain cases, the grille may become yellow after a while. This phenomenon is not due to a manufacturing defect. It is caused by the smoke or suspended particles present in the surrounding air, heated and blown out through the grille. This coloration can be reduced by cleaning the grille on a weekly basis.

IF YOUR CONVECTAIR DOES NOT HEAT:

Before calling CONVECTAIR, please go through these simple checks:

- 1- Make sure the breaker in the distribution panel is in the "ON" position.
- 2- Make sure there is no other unit on your heater circuit.
- 3- Push the unit switch "OFF" for 2 minutes and turn it back "ON".
- 4- Turn the timer to 30 minutes.
- 5- If, after these verifications, your unit still does not function, call CONVECTAIR or your closest repair center.

WARRANTY:

- 2 years against all defects
- 5 years on heating element

All CONVECTAIR units are subject to a double warranty: 2 years on all parts and manufacturing defects and 5 years on the heating element itself. Warranty is applicable from date of purchase by the customer and under certain specific conditions. All details furnished with each unit. Please keep your invoice (purchase or installation).

REPAIR CENTERS:

To find your nearest repair center please call CONVECTAIR.

Montreal: **(450) 433-5701**
Toll-free from Canada and USA: **1-800-463-6478**

CONVECTAIR

30, Place Sicard, Sainte-Thérèse (Québec) Canada J7E 3X6

Tel.: (450) 433-5701 Fax: (450) 434-3166

E-mail: support@convectair.ca

Web site: <http://www.convectair.ca>