

Boléro

convectair.com 38



Photo / page 9

INSTALLATION AND CONNECTION

Installation height 6 in (15 cm).

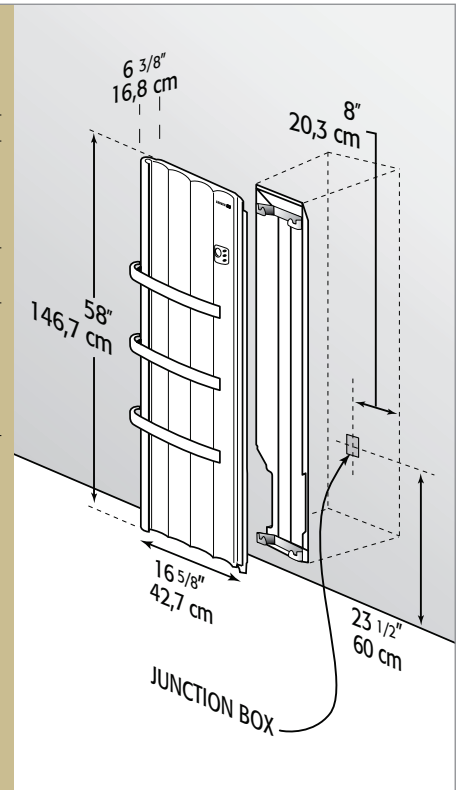
Clearances

- **Front:** 20 in (50 cm)
- ◀ **Sides:** 6 in (15 cm)
- ▲ **Above:** 6 in (15 cm)

Installation Quick-mounted surface installation with screw-in bracket.


Connection 240-V unit: Flexible armoured power cord and wiring connector supplied with heater. Installation requires 2 in X 3 in wall box (not included).


Note 3-conductor cable or 2-conductor cable with a third wire should be used if unit is to be linked with the Convectair Programmer module (7392 FP).



HEATING ELEMENTS

Total capacity 2 000 W


 **Radiant (750 W)** Radiant front panel with integrated surface element.

 **Fan-forced heat on demand (1 250 W)** Low-thermal-mass heating element combined with low-pressure centrifugal blower.

Thermal protection - Radiant Manual reset overheat protection.

- **Fan-forced heat** Resettable overheat protection. Reset by turning heater off

TEMPERATURE CONTROL


 **Electronic thermostat** Built-in 2-stage digital thermostat ultraprecise to 1/5°F (1/10°C)

for radiant front panel and full power mode control (2000 W radiant and fan-forced heat).

Timer One-touch electronic timer: 30-minutes, 1 hour or 2 hours for quick heating or fast towel drying, with indicator light.

Programmer Programmer-compatible, pilot wire only.

CONTROL PANEL

 **Location** Located on the front of the unit.

Dial Thermostat control.


One-touch button 1 On/Off, also serves as overheat protection reset and as full power mode selector with indicator light.

2 Timer control with indicator light.

3 Room temperature ventilation control with indicator light.

Indicator light Heating indicator light.

CABINET

 **Steel** construction with polyester/epoxy anti-rust powder coating.

Cabinet Splash-proof construction with rounded edges and built-in side wire covers.

Airflow Lateral cross flow air outlet, warming towels and moving air horizontally across the room.

Accessories Three (3) adjustable and reversible bars and two (2) pegs included.

Filter Easy-to-clean, removable rear-mounted dust filter for easier maintenance.

Color BB = White

MODEL	Catalog No.	Color	Power		Height		Width		Thickness		Weight	
			240-V	208-V	cm	in	cm	in	cm	in	kg	lb
BOLÉRO ②	7659-C20	BB	*750 -2 000 W		146,7	58	42,7	16 5/8	16,8	6 3/8	19,0	41,8
*Radiant (750 W); Fan-forced heat (1 250 W)					WITH BARS		48,8	19 1/4	22,5	9	-	-

② Compatible with the Programmer system (see technical specifications for catalogue number 7392).

For guaranteed, dependable operation, we recommend that all units be installed by a licensed electrical contractor. Consult **convectair.com** to find the most recent installation instructions for our heaters.

