

Allegro¹⁴ Allegro¹⁸

convectair.com



Photos / pages 3, 5, 6, 13, 22

INSTALLATION AND CONNECTION

Installation height 4 in (10 cm).

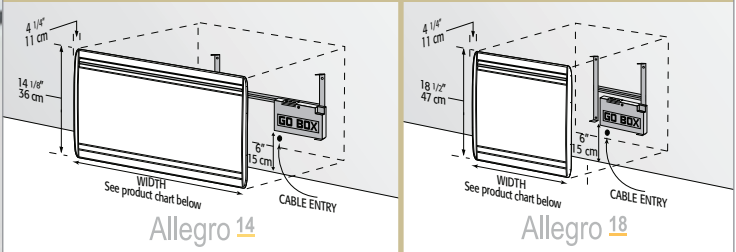
Clearances

■ **Front:** 20 in (50 cm) ◀ **Sides:** 6 in (15 cm) ▲ **Above:** 4 in (10 cm).

Installation Quick-mounted surface installation with easy snap-on bracket that also serves as marking template.


Connection 240-V unit: Flexible cord connection, with the GO BOX® technology. Can be connected with or without a 2 in x 3 in wall box (not included).

Note 3-conductor cable or 2-conductor cable with a third wire should be used if unit is to be linked with the Convectair Programmer module (7392 FP).




HEATING ELEMENT

Total capacity 500 to 2000 W

 **Convection** X-shaped, monoblock element made of surface-treated extruded aluminum.


Thermal Protection Manual reset overheat protection.

TEMPERATURE CONTROL

 **Electronic thermostat** Lockable built-in electronic proportional-action thermostat ultraprecise to 1/5°F (1/10°C) with digital controls.

Programmer Control panel designed to accept the 7392 Programmer module.

CONTROL PANEL "Selection of scale of temperature - C or F."

 **Location** Located on top right hand side of the unit with lockable protective cover.

LCD display with lockable digital controls.

Key 1 On/Off switch.

Key 2 4-Operating mode selection key: Comfort; Economy; Frost protection (45°F (7°C)); Program (automatic setback when connected to the Convectair Programmer).

« + and - » **Keys** Set the temperature and lock the controls.

Indicator light Heating indicator light.

CABINET

 **Steel** construction with polyester/epoxy anti-rust powder coating.

Cabinet Bottom-mounted protective pan with rounded edges.

Louvres Front-louvered air outlet that hides the unit interior and directs heat towards the centre of the room.

Color BB = White **BM** = Mimetic White

Catalog No. Model; Color	7302 ALLEGRO 14 ^② (SP)						7303 ALLEGRO 18 ^② (SP)					
	Power		Width		Weight		Width		Weight			
	240 V	208 V	cm	in	kg	lb	cm	in	kg	lb		
	500 W	375 W	36	14 1/8	5,1	11,3	48,9	19 1/4	5,6	12,5		
	750 W	562 W	56,9	22 3/8	5,7	12,6	48,9	19 1/4	5,7	12,6		
	1000 W	750 W	64,9	25 1/2	7,8	17,3	56,9	22 3/8	6,3	13,9		
	1250 W	937 W	84,9	33 3/8	7,9	17,4	64,9	25 1/2	7,0	15,5		
	1500 W	1125 W	84,9	33 3/8	7,9	17,4	76,9	30 1/4	7,9	17,5		
	1750 W	1312 W	112,9	44 1/2	10	22	84,9	33 3/8	8,9	19,6		
	2000 W	1500 W	112,9	44 1/2	10	22	84,9	33 3/8	8,9	19,6		

Allegro¹⁴

Allegro¹⁸

WIDTH / BRACKET							WIDTH / BRACKET						
500 W	750 W	1000 W	1250 W	1500 W	1750 W	2000 W	500 W	750 W	1000 W	1250 W	1500 W	1750 W	2000 W
5 1/2 in 14 cm	7 in 17,8 cm	9 3/4 in 24,8 cm	16 in 40,5 cm	16 in 40,5 cm	21 in 53,5 cm	21 in 53,5 cm	7 in 17,8 cm	7 in 17,8 cm	9 3/4 in 24,8 cm	12 5/8 in 32 cm	16 in 40,5 cm	16 in 40,5 cm	16 in 40,5 cm



② Compatible with the Programmer system (see technical specifications for catalogue number 7392).

(SP) Control panel is designed to accept the 7392 Programmer module.

For guaranteed, dependable operation, we recommend that all units be installed by a licensed electrical contractor. Consult **convectair.com** to find the most recent installation instructions for our heaters.





INSTALLATION AND CONNECTION

Installation height 4 in (10 cm).

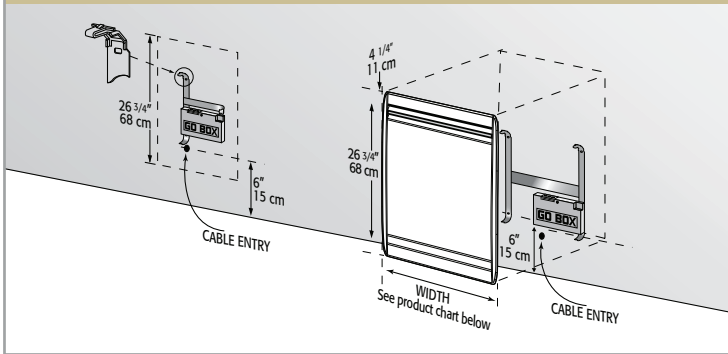
Clearances

■ **Front:** 20 in (50 cm) ◀ **Sides:** 6 in (15 cm) ▲ **Above:** 4 in (10 cm).

Installation Quick-mounted surface installation with easy snap-on bracket that also serves as marking template.

Connection 240-V unit: Flexible cord connection, with the GO BOX® technology. Can be connected with or without a 2 in x 3 in wall box (not included).

Note 3-conductor cable or 2-conductor cable with a third wire should be used if unit is to be linked with the Convectair Programmer module (7392 FP).



Allegro²⁶

29
convectair.com

Photos / pages 12 & 15

HEATING ELEMENT

Total capacity 500 to 2 000 W

Convection X-shaped, monoblock element made of surface-treated extruded aluminum.

Thermal Protection Manual reset overheat protection.

TEMPERATURE CONTROL

Electronic thermostat Lockable built-in electronic proportional-action thermostat ultraprecise to 1/5°F (1/10°C) with digital controls.

Programmer Control panel designed to accept the 7392 Programmer module.

CONTROL PANEL "Selection of scale of temperature - C or F."

Location Located on top right hand side of the unit with lockable protective cover.

LCD display with lockable digital controls.

Key 1 On/Off switch.

Key 2 4-Operating mode selection key: Comfort; Economy; Frost protection (45°F (7°C)); Program (automatic setback when connected to the Convectair Programmer).

« + and - » **Keys** Set the temperature and lock the controls.

Indicator light Heating indicator light.

CABINET

Steel construction with polyester/epoxy anti-rust powder coating.

Cabinet Bottom-mounted protective pan with rounded edges.

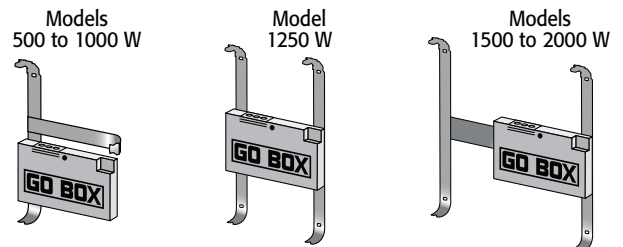
Louvres Front-louvered air outlet that hides the unit interior and directs heat towards the centre of the room.

Color BB = White BM = Mimetic White

Catalog No. Model Color	7304 ALLEGRO 26 ^② (SP) BB BM					
	Power		Width		Weight	
Height			cm	in		
Thickness			11	4 1/4		
	240 V	208 V	cm	po	kg	lb
C05	500 W	375 W	32,9	13	6,3	14
C07	750 W	563 W	36,9	14 1/2	6,8	15
C10	1 000 W	750 W	40,9	16 1/8	7,3	16
C12	1 250 W	938 W	48,9	19 1/4	8,4	18,5
C15	1 500 W	1 125 W	56,9	22 3/8	9,3	20,6
C17	1 750 W	1 313 W	64,9	25 1/2	10,3	22,8
C20	2 000 W	1 500 W	76,9	30 1/4	11,9	26,3

② Compatible with the Programmer system (see technical specifications for catalogue number 7392).

(SP) Control panel is designed to accept the 7392 Programmer module.



Allegro 26

WIDTH / BRACKET						
500 W	750 W	1000 W	1250 W	1500 W	1750 W	2000 W
5 1/2 in 13,7 cm	7 in 17,8 cm	7 in 17,8 cm	5 1/2 in 14 cm	7 in 17,8 cm	9 3/4 in 24,8 cm	12 5/8 in 32 cm

For guaranteed, dependable operation, we recommend that all units be installed by a licensed electrical contractor. Consult **convectair.com** to find the most recent installation instructions for our heaters.

