

CONVECTAIR

Diva

7646-C15-BB



Installation and operation notice
Read before operation / installing, DO NOT DISCARD

CARACTERISTICS

Your new **DIVA** is a radiant and fan-forced heating unit. It is the perfect bathroom heater thanks to its elegant style and practicality. Diva boasts a 500 watt radiant panel that warms and dries your towels, and a powerful 1000 watt fan-forced circulation heater. Thanks to its electronic thermostat; it heats fast, and maintains the heat. Use it with the optional Convector programmer (**Pilot-wire**) for maximum performance and efficiency.

PLANING THE INSTALLATION

Caution: this unit must be connected to a 240 volt or 208 volt, 60 Hz. CONVECTAIR recommends that the Diva be installed by a qualified electrician, in accordance with national and local codes.

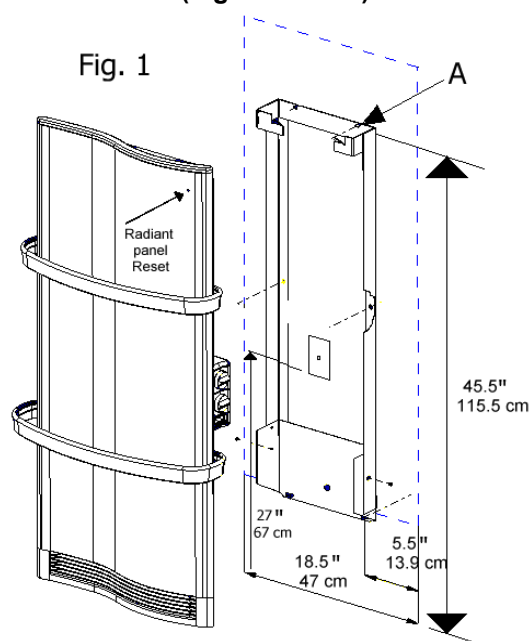
Note: If a programmer is intended to control the Diva, a 3/12 may be used in the cable installation that will allow the connection of the blue wire.

1. For best performance the Diva (towel warmer heater) must be installed no lower than **10" (25 cm)** from the Floor.
2. Determine the location where the Diva is to be installed, ensure that there are no restrictions to the minimum clearances permitted.(**Fig.1**).
3. The electrical connection for the Diva shall be made in a rectangular junction box that has been pre-installed in the wall (**Fig.1**). The junction box shall be of appropriate dimensions to accommodate the cables. **2 3/4"x4 1/2" (7cm x 11.5cm)**.

INSTALLATION

It is important to respect the clearances and installation height for the Diva. Installation height, no less than **10" (25 cm)** minimum side clearance is **4" (10 cm)**.

1. Position the mounting bracket at the proper location, measure and mark the height and the level, make sure there is sufficient clearance for the junction box (**Fig.1**).
2. Make sure the mounting bracket is level, mark and drill 6 holes for the mounting bracket (**Fig.3**). It is recommended that "E-Z" anchors be used prior to screwing into the wall, thus supporting the mounting bracket Note:, the top left screw should be **45 inches (115,5 cm)** from the floor (**Fig.1 A**).
3. Once installed, align the unit in front of the mounting bracket, insert the two hitches on top, then slide the bottom in (**Fig.2 A & B**).
4. Use the screws provided to secure the unit in the bracket (**Fig. 2 and 3 A**).



ELECTRICAL CONNECTIONS

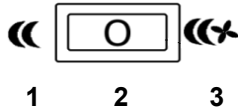
Caution: this unit must be connected to a 240 volt or 208 volt, 60 Hz. CONVECTAIR recommends that the Diva be installed by a qualified electrician, in accordance with national and local codes..

The electrical connection for this unit must be made in a junction box that is pre- installed (correct location) in the wall.

1. Connect the ground (copper) wire to the green wire with wiring connectors.
2. Connect the units black wire with the black wire from the junction box (Electrical network).
3. Connect the units red wire with the red wire coming out of the wall.
4. The 4th wire on Diva's cable, wich is **blue**, the end of this wire is sealed. **Do not use** this wire for any electrical connection. This wire (pilot wire) is used only if you are using a "Convectair Programmer" (7392).
5. Carefully place wires in the junction box and screw on the cover.
6. Mount Diva (on the installed bracket) and lock in position with retainer screws provided (see diagrams Fig. 2 B and 3 A).

FUNCTION SELECTOR

The function selector for the thermostat has the following operation:



- Position 1** Radiant heat
Position 2 Power is (OFF)
Position 3 Radiant and fan forced heat

Position 3 can also be obtained using the timer.
 The operation status of the unit can be observed by the green luminescent (Green LED) indicator on the left of the switch. (Fig. 4)

CONTROL PANEL (Fig. 4)

The timer:

- Select the desired time for both Radiant and fan forced heat (1500 watts).

Setting the thermostat:

- When the function selector is positioned in (1) or position (3) the unit will produce heat according to the thermostat. To set the temperature adjust the dial to the desired level (between 6 et 9). Wait for approximately one hour of use. If the setting is not satisfactory, turn the dial either left or right to raise or lower the temperature to the desired comfort level. (Fig. 4)

Fig. 2

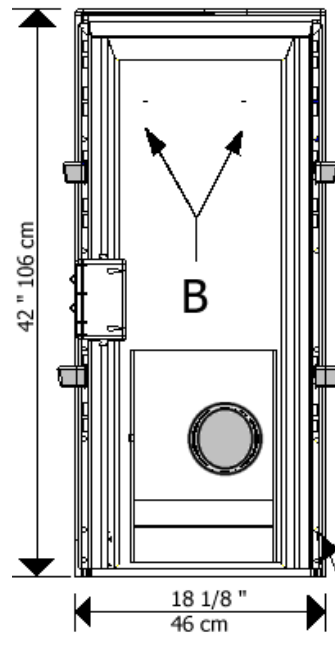


Fig. 3

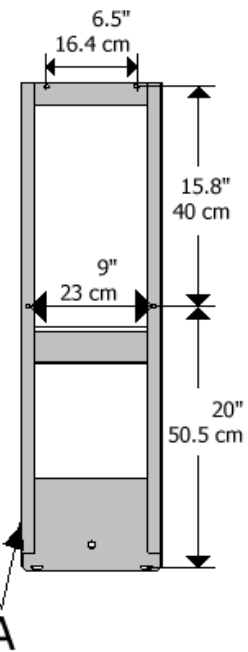


Fig. 4A

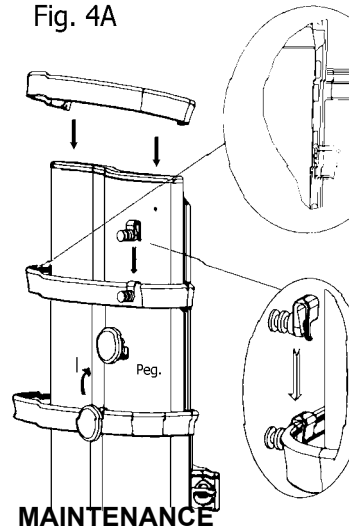
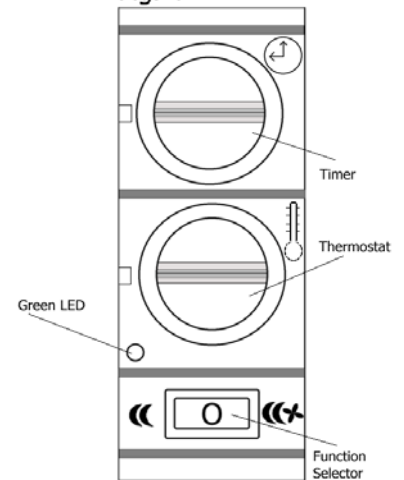


Fig. 4



To keep your unit clean, regular maintenance is suggested. To remove dust, use a soft cloth. To remove a stain, use a damp cloth. Never use abrasive products that may damage the finish.

After a while, the unit may shut off even if the heater is not clogged up. In such a case, the unit may require internal cleaning. Please contact one of our repair centers or call CONVECTAIR

ACCESSORIES (Fig. 4 A):

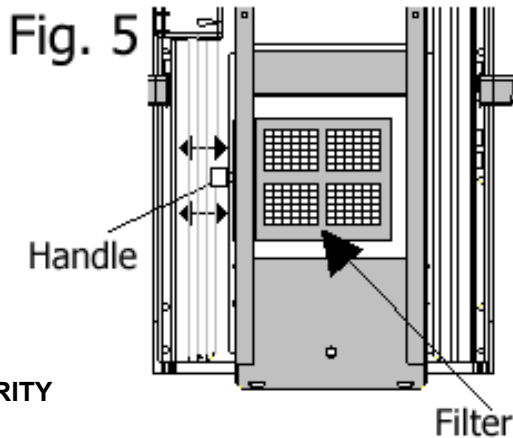
- **Two towel bars:**
May be installed at 6 different levels. Always install bars from the top of the unit. Once the bars have been lowered to desired height, insert ends in slots until bars are secure.
- **Two pegs:**
Select area on the bar where you would like to set up pegs, then tighten the pegs at desired location on the bar.

±46°F ±50°F ±54°F ±57°F ±61°F ±64°F ±68°F ±72°F ±75°F ±79°F ±82°F
 ±8°C ±10°C ±12°C ±14°C ±16°C ±18°C ±20°C ±22°C ±24°C ±26°C ±28°C
1 2 3 4 5 6 7 8 9 Max

FILTER

The Diva is equipped with a filter to reduce dust intake. When the filter is clogged up, the unit shuts off automatically (**Fig.5**). Clean the filter and reset the unit as follows:

- Turn main power "OFF".
- Remove filter (assessable from the right side of the unit (**Fig. 5**).
- Clean filter (remove dust particles).
- Re-insert filter in it's compartment.
- Wait 2 minutes before switching unit "ON"



SECURITY

Filter saturation and overheat protection : will automatically deactivate the unit if the filter becomes saturated with dust. To re-arm the temperature limit control see filter section above.

Overheat protection for the radiant surface : if the radiant panel overheats the overheat fuse will trip (will see red mark on the button), to reset simply depress the reset button located on the top right hand corner of the unit. (**See Fig.1**)

NOTE: It is strongly recommended that the unit not be covered, for instance a wet towel that may block air circulation.

PREVENTION

It is recommended to frequently clean the front grille of the unit, especially in areas where smoke and dust are present. Never use unit during construction or other activities that generate high amounts of dust particles.

NOTE

During the first time operation of the unit, it is possible that a slight odour and smoke are expelled from your Diva. This phenomenon is normal and will cease after a few minutes of use.

IF YOUR DIVA DOES NOT WORK:

Prior to calling an electrician, please perform the following TESTS:

1. Make sure that the circuit breaker (In the Main circuit box) is in the "ON" position
2. Make sure that the , thermostat and function selector switch are in the "ON" position.
3. Adjust the thermostat to the maximum power level.
4. ***If after all these tests, the unit does not work. Shut power "OFF" wait 5 minutes, then repeat steps 1 to 3. If after all this the unit does not work, you may now call your electrician or Convectair.***

WARRANTY

- 2 years against all defects
- 5 years on all heating elements

All CONVECTAIR units are subject to a double warranty: 2 years on all parts and manufacturing defects and 5 years on the heating element itself. Warranty is applicable from date of purchase by the customer and under certain specific conditions. All details furnished with each unit. Please keep your invoice (purchase or installation).

REPAIR CENTERS:

To find your nearest repair center, please call CONVECTAIR.

Montreal: (450) 433-5701

Toll-free from Canada and USA: 1-800-463-6478.

Fax :1 877 434-3166

E-mail : support@convectair.ca

Web site : www.convectair.com

CONVECTAIR

30 Place Sicard, Sainte-Thérèse, Québec, Canada J7E 3X6

Tel: 1-800-463-6478 Fax: 450-434-3166

E-mail : support@convectair.ca Web: www.convectair.com