

IMPORTANT
to be kept by the user

CONVECTAIR

ALTO, MEZZO, SOLO

INSTALLATION & OPERATING INSTRUCTIONS FOR MODELS 7384 C, 7383 C, 7382 C

PLANNING THE INSTALLATION:

Convectair units should be installed by a qualified electrician according to national and local codes.

NOTE: If you plan to control the units with CONVECTAIR's central "Programmer", the installation must be done using three-conductor wiring (3-12). You may also use regular two-conductor wire combined with a FAS 105 2-18 cable using only one of the two wires.

- 1- Choose the location where the CONVECTAIR will be installed.
- 2- Check that nothing such as drapes or furniture interferes with the airflow to and from the CONVECTAIR.

WATTS	ALTO 7384		MEZZO 7383		SOLO 7382	
	Width	A	Width	A	Width	A
500	26 10 1/4	34 13 3/8	7 2 3/4	58 22 7/8	25 9 7/8	9 7/8
750	34 13 3/8	7 2 3/4	42 16 1/2	14 5 1/2	58 22 7/8	25 9 7/8
1000	42 16 1/2	14 5 1/2	50 19 5/8	18 7 1/8	66 26	32 12 5/8
1250	50 19 5/8	18 7 1/8	58 22 7/8	25 9 7/8	82 32 1/4	40.5 16
1500	58 22 7/8	25 9 7/8	66 26	32 12 5/8	90 35 1/2	53.5 21
1750	66 26	32 12 5/8	74 29 1/8	40.5 16	106 41 3/4	53.5 21
2000	66 26	32 12 5/8	82 32 1/4	40.5 16	106 41 3/4	53.5 21

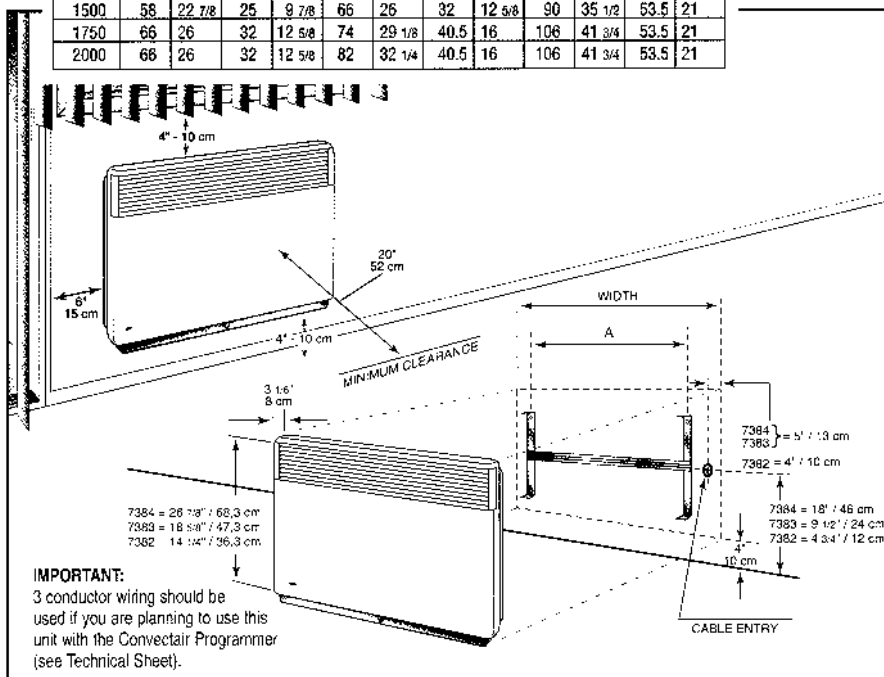


Figure 1

INSTALLATION:

To avoid unnecessary length of cable behind unit, be sure that the supply cable comes out from the wall at the correct height (Figure 1). Should the unit be installed on an outside wall, it is suggested to take out the supply wire in the middle of the unit since it is hard to reinsert excess wiring in an outside wall.

- 1- Free mounting bracket by pressing and pulling both locking brackets (Figure 2).
- 2- Use the mounting bracket as a template by holding it against the wall flush to the floor. Use the B mark to locate the bottom fasteners (Figure 1B).
- 3- Relocate the mounting bracket to match the marks with the holes for the bottom fasteners.
- 4- Check horizontality of the mounting bracket then mark and pierce the 3 or 4 holes for fastening.
- 5- Replace mounting bracket and fasten it with screws.

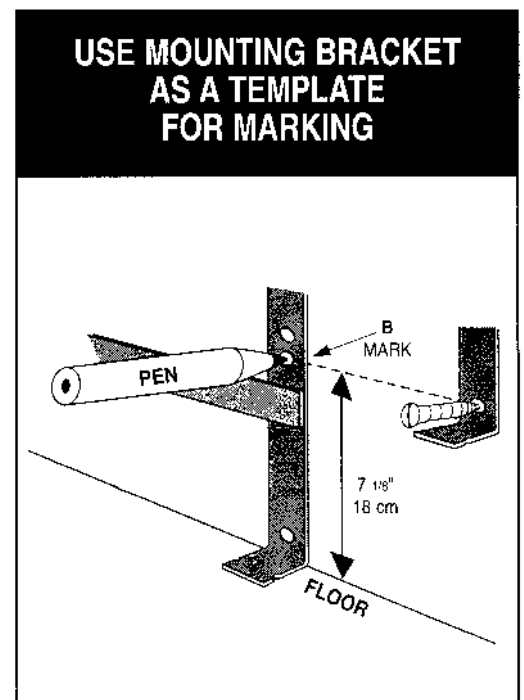


Figure 1B

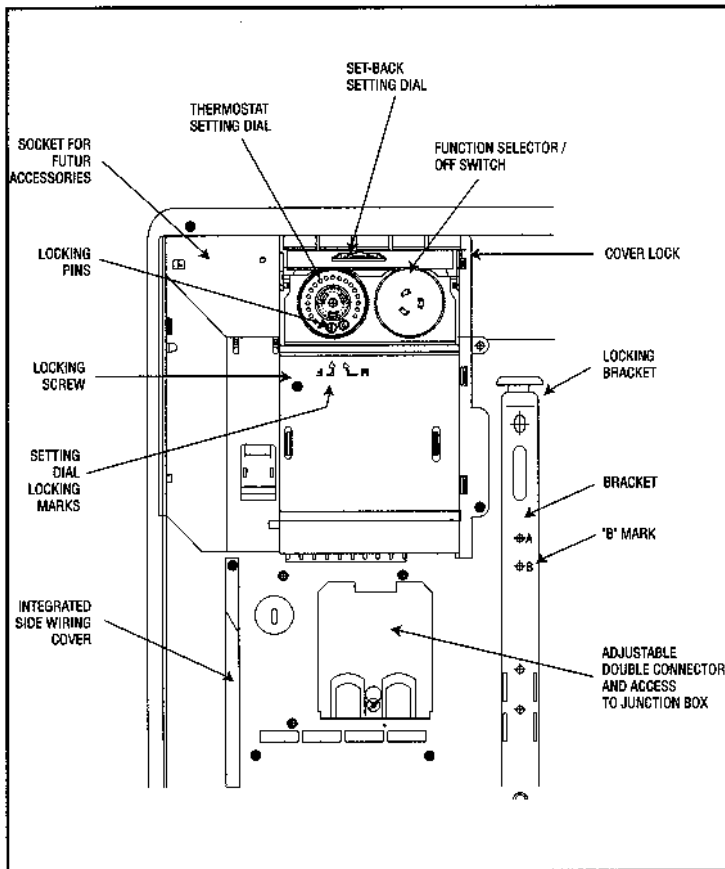


Figure 2

WARNING:

CAUTION: This unit must be connected to a 240 volts or 208 volts circuit, 60 cycles. Disconnect power supply before making wiring connections to prevent electrical shock or equipment damage.


Access to the junction box is reached by an access trap situated at the rear of the CONVECTAIR (Figure 2).

- 1- Unscrew and remove double connector.
- 2- Connect the ground wire to the green wire inside the connection box.
- 3- Connect the lead wires to the red and black wires using the connectors provided.
- 4- You will find, in the connection box, a third purple wire with a sealed end. This wire must not be used for the electrical connection. This wire will be used only if the unit is connected to a CONVECTAIR "Programmer" central control system.
- 5- Carefully put back all wires inside the connection box, slide the cover back in place and tighten.
- 6- Hook the CONVECTAIR unit onto the mounting bracket tabs with the unit slightly angled towards you.
- 7- Push the CONVECTAIR towards the wall until it is engaged on both locking brackets.

OPERATING CONTROLS:

The OFF switch is incorporated to the function selector on the top portion of the Convectair unit.

When the function selector is set to any other position than OFF, the unit is automatically turned ON.

The pilot lamp , located near the thermostat, will indicate when the unit is operating.

SETTING THE THERMOSTAT:

The thermostat setting dial, situated on the control box, is accessible when the protective cover is opened. To set thermostat, adjust setting dial to desired comfort level (between 5 and 7).

After approximately an hour of use, if adjustment is not satisfactory, slightly turn the dial either left or right to raise or lower temperature to the desired comfort level.

LOCKING THE SETTING DIAL AND THE COVER:

First, detach the unit from the wall bracket. Behind the setting dial, two pins are provided. Remove the pins with pliers by rotating gently. To lock the setting dial, insert a pin in front of the "F" mark. To block the setting between the minimum and a desired maximum setting, insert a pin in front of the "M" mark (Figure 2).

FUNCTION SELECTOR:

The control box function selector offers 5 different positions:



Frost protection:

Maintains about 8°C (45°F) temperature during absences of more than 48 hours.

(Not recommended in extreme cold).



Economy function:

Temperature slightly inferior (according to previous adjustment of the set-back, see ad below) to the temperature selected in the comfort mode, without disturbing the thermostat.

This function is used to reduce electric consumption during the night, in unoccupied rooms or during temporary absences.



Comfort function:

Select temperature by setting thermostat.

OFF Stop:

Turns the heater OFF.



Programmed function:


To be used only when unit is connected to a CONVECTAIR central program unit (optional).

ADJUSTING THE SET-BACK:

The set-back control button is located in the control box on top of the Convectair unit. It will allow you to adjust the set-back degrees desired (between 2 and 7 degrees C. inclusively).

As a general rule, the ideal set-back for maximum energy efficiency and optimal comfort, is between 3 and 4 degrees C. You can reduce a little more during mild weather but, on the other hand, during very cold weather, the set-back should be minimal. If you wish to have different levels of comfort in different rooms, doors should remain closed. In large, open areas, all units should be set at exactly the same temperature.

OPERATION:

When the CONVECTAIR is on, it will cycle every 25-30 seconds. The indicating light  tells you when heat is on. The CONVECTAIR will always remain warm and ambient temperature will remain constant. It is normal that in very cold temperatures the unit could become hot. Caution is advised when young children are present.

MAINTENANCE:

To keep your CONVECTAIR unit clean, a regular maintenance is suggested. To remove dust, use a soft cloth. To remove a stain, use a damp cloth. Never use abrasive products which could damage surface. For a better performance and a maximum efficiency, it is suggested that dust and lint be regularly removed from protective grille situated at the base of your CONVECTAIR.

Warning:

In certain cases, it is possible that, after a certain time, a yellowing of the grille occurs. This is not due to a manufacturing defect. This is caused by surrounding air, which contains smoke and dust, being heated and released through grille. This is especially visible on pure white units and may provoke an important coloration.

PREVENTION:


It is suggested that grilles be frequently cleaned especially with units installed in locations where cigarette smoke is present or in the kitchen. **Never use convectors while construction work or other activities that generate a lot of dust.**

NOTE:

The first time your CONVECTAIR heats, a light smoke could be released, This is normal and should disappear after about 2 to 3 minutes.

IF YOUR CONVECTAIR DOES NOT HEAT:

Before calling your electrician, please follow this procedure:

- 1- Make sure the breaker in the distribution panel is in the "ON" position.
- 2- Check that the function selector switch is . Turn the setting dial to the position 9.
- 3- If the light is still off, and that no heat is generated, call your electrician or the nearest CONVECTAIR repair center.

WARRANTY

- 2 years against all defects
- 5 years on heating element

All **Convectair** units are subject to a double warranty: 2 years on all parts and manufacturing defects and 5 years on the heating element itself. Warranty is applicable from date of purchase by the customer and under certain specific conditions. All details furnished with each unit.

FOR FURTHER INFORMATION...

Do not hesitate to contact us.

REPAIR CENTRES:

To find your nearest repair centre please call **CONVECTAIR.**

Montreal Area: (514) 433-5701
Canada, U.S.A.: 1-800-463-6478

CONVECTAIR

30 Place Sicard, Sainte-Thérèse, Quebec, Canada J7E 3X6

Tel.: (514) 433-5701 • Fax: (514) 434-3166

E-mail: support@convectair.ca • Web site: <http://www.convectair.ca>