

WARRANTY CONDITIONS

What the warranty covers:

All defective material and manufacturing defects.

Length of warranty after initial purchase:

2 years on parts and labour.

What Convectair will do:

Pay the repair costs in an authorized repair centre, or at the company's discretion, provide replacement. Assume freight charges to ensure return to customer.

Service center:

To find the service centre nearest you, contact Convectair by dialing 1-800-463-6478.

Purchase receipt:

For any repair or replacement covered by this warranty, you need proof of purchase. please keep your original invoice.

Miscellaneous costs:

Cost of transport to service centre, pick-up and reinstallation of the defective item shall, in every case, be at customer's expense, and shall be his responsibility.

What the warranty DOES NOT COVER.

All damage resulting from faulty installation, misuse, negligence or abuse, accidents, acts of God, or any other circumstance that is beyond Convectair's control. This also applies to all repairs carried out without Convectair's supervision. In addition, Convectair may not be held responsible for any damage caused to personal property or real estate caused directly or indirectly by our products, even when such damage is due to a fault or defect in these appliances.

In keeping with our ongoing commitment to research and development, we reserve the right to change product specifications without notice.

CONVECTAIR

30, Carre Sicard, Sainte-Therese (Quebec), CANADA J7E 3X6

Telephone : (450) 433-5701 Fax: (450) 434-3166

Email: support@convectair.ca

www.convectair.com

CONVECTAIR

Installation & Operating Instructions

Document to be read and kept by the user.



PROGRAMMER MODULE USING A PILOT WIRE

IMPORTANT

More information on the Programmer's required installation prior to use at:

www.convectair.com/install

Introduction: We thank you for choosing Convectair's premium electric heating products and we congratulate you on the purchase of this Programmer. To obtain the best results and the ultimate in performance and comfort, please take a moment to read the installation and operation instructions detailed in this manual.

1 - OVERVIEW

- This Programmer module needs to be charged for 20 minutes, in the slot located on the control panel of the heater, prior to its first use. After a complete charge, the battery supply will last for a full 24 hours.
- The Programmer module can be programmed when inserted into the heater or out of the control panel slot, when fully charged.
- Prior to use, make sure you remove the protective film that covers the display and the Quick Reference Guide located on the Programmer module.

- This programmer can be used on heaters fitted with a compatible receptacle.
 - For a list of compatible heaters visit www.convectair.com/install
- The digital screen display allows you:
 - to visualize the time, the day, the current heating status (comfort, economy or frost-protection), and the current program on an hour by hour basis;
 - to set the time, the day, a program or confirm a selection.
- Technical features:
 - Tension: 240 V
 - After a complete charge, the battery supply will last for a full 24 hours.
- Programmer settings:
 - **Comfort** (room temperature as set on the heater) ----- ☀
 - **Economy** (setback a desired amount of degrees from the Comfort settings, for short absences or night time) ----- ☾
 - **Frost-protection** (maintains a minimum of 7°C or 46°F for prolonged absences) ----- ❄
- The Programmer module can control up to 20 other Convectair heaters.

- IMPORTANT:**
- To plan your installation and connect heaters to this Programmer visit www.convectair.com/install
 - When the Programmer stays without power for a long period, reset the time and day.
 - The pilot wire must NOT be grounded.

5 - WARNINGS

- IMPORTANT:**
- Should the back light not activate, leave the cassette programmer in the slot to charge.
 - When the cassette is not in the slot, the screen may switch off after a while. Press on any button in order to re-activate. If light does not come back, insert the cassette programmer into the slot.

- In case the electric supply is cut for more than 24 hours, the programs are saved but time and day are lost and should be set again. The screen displays a flashing 00:00. After charging for 20 minutes, the heater will be operating according to Monday's program at 00:00 AM (until the day and time are reset).

- IMPORTANT:**
- While charging (20 minutes), Comfort is the only signal that can be sent on the pilot wire.

Manual override:

It's possible to override the heating status without touching the Programmer module. On the heater, select another heating position:

- ☀ Comfort
- ☾ Economy
- ❄ Frost-protection
- ⌚ Stop

When the Programmer module controls a number of heaters through the pilot wire, this procedure enables the occupant to override an individual heater while the rest operates according to the current program.

To return to the programmed settings, switch back to the Prog position ⌚.

■ Copying a program on a group of days:

There are 4 pre-programmed groups of days:

- 1 - 2 - 3 - 4 - 5 - 6 - 7
- 1 - 2 - 3 - 4 - 5
- 6 - 7
- 1 - 2 - 4 - 5

Note: In these group of days, Monday = 1, and so on.

Press **Prog**.

Select the day you want to copy the program from using **◀** and **▶** and press **OK** to validate.

The program you want to copy is shown.

Press **OK** to validate.

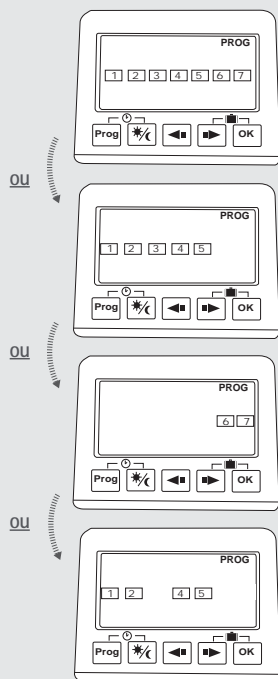
Press **▶** for 3 seconds.

Select the group of days on which you want to copy the program using **◀** and **▶** and press **OK** for 3 seconds.

The program is copied and appears on the screen.

Press **OK** to validate.

Exit by pressing **Prog**.



2 - INSTALLATION & CONFIGURATION

a) Inserting the module into the heater:

- Using a small screwdriver, press on the clip and lift the cover of the slot (on the right hand side next to the control panel) and insert the Programmer module.

- Select the **Prog** position on the thermostat.

Location

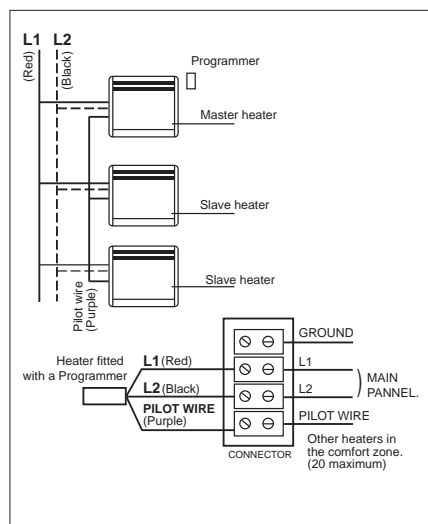


Control panel

Slot designed to receive the Programmer module.

Note: For optimal results the Programmer module should remain permanently in the slot of the control panels.

b) Individual or zone heating configuration.



Zone heating configuration:

One cassette programmer can operate several heaters using the pilot wire. Connect the pilot wire of the heater fitted with the Programmer module (master) to the pilot wire of the other heaters (slaves) as shown on the picture.

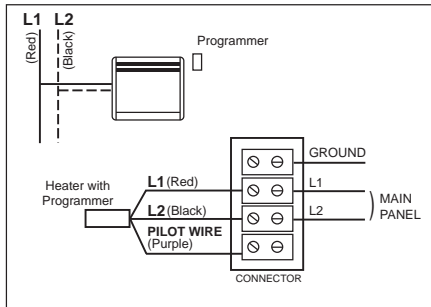
Set all heaters to **Prog** mode. The "slaves" heaters will operate according to the program on the "master" heater and constitute a comfort zone.

Comfort and Economy temperatures need to be adjusted on each heater link with a pilot wire to the "master" heater.

Using 2 Programmer modules it is possible to have 2 separate comfort zones.

WARNING

- You must not install 2 Programmer modules units in the same comfort zone.
- It is imperative to respect the connection polarities of all heaters of one zone.



Individual heating configuration:

Only the heater fitted with the Programmer module will follow the selected program.

Connect the pilot wire to an empty / unused terminal.

4 - OPERATION

a) Clock settings:

Press simultaneously on **Prog** and for 3 seconds.

Choose between a 24h or a 12h AM/PM display.

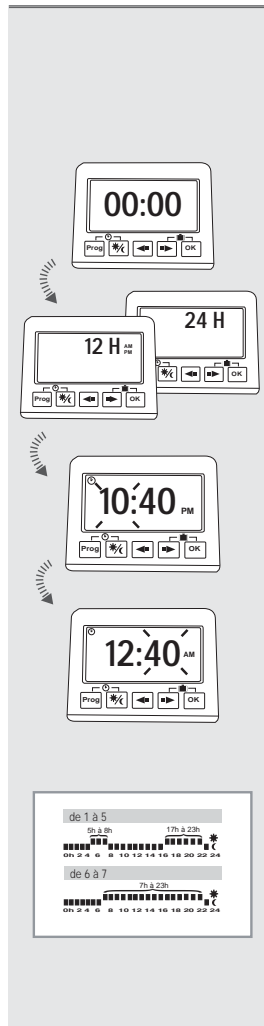
- **Day setting:** select the day by pressing and and press **OK** to validate.

- | | | |
|--------------|-------------|---------------|
| 1 = Monday | 2 = Tuesday | 3 = Wednesday |
| 4 = Thursday | 5 = Friday | 6 = Saturday |
| 7 = Sunday | | |

- **Hour setting:** adjust the hour by pressing and and press **OK** to validate.

- **Minutes setting:** adjust minutes by pressing and and press **OK** to validate.

- The Programmer is now ready to be used using its default setting (see picture).



b) Customize a program:

Press **Prog**.

Select the day using and and press **OK** to validate.

Select the hour using et .

Press to choose between Comfort or Economy.

Press **OK** to validate your changes.

Select another day or exit by pressing **Prog**.

c) Setting up frost-protection mode:

Simultaneously press on and **OK** for 3 seconds.

Select the number of days desired (from 1 to 99) by pressing and and press **OK** to validate.

Pour désactiver, appuyer simultanément sur et **OK** pendant 3 secondes.

d) Child lock setting:

Simultaneously press on and for 3 seconds.

A key appears on the screen.

To unlock, repeat the same operation.

e) Copying a program from another day:

Press **Prog**.

Select the day you want to copy the program from using and and press **OK** to validate.

The program you want to copy is shown.

Press **OK** to validate.

Select the day on which you want to copy the program using and and press **OK** for 3 seconds.

The program is copied and appears on the screen.

Press **OK** to validate.

Select another day or exit by pressing **Prog**.

