

# **CONVECTAIR**

## **APER0**

7358 C



# **Installation, Operating Instructions & Warranty Registration**

**IMPORTANT** : to be read and kept by the user

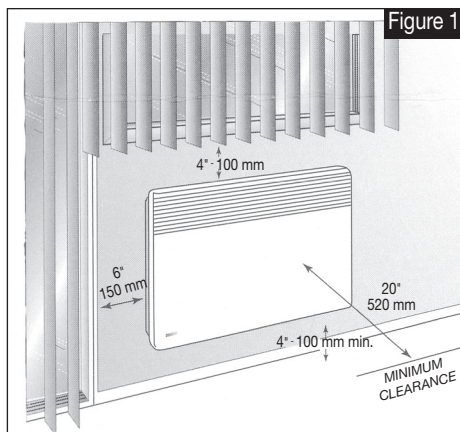
# 1 Introduction

Dear owner,

- Congratulations on the purchase of this new premium electric heater from CONVECTAIR, manufacturer of the highest quality heating product in the electrical industry.
- To obtain the best results and the ultimate in performance and comfort please carefully read the installation and maintenance instructions shown in this manual.

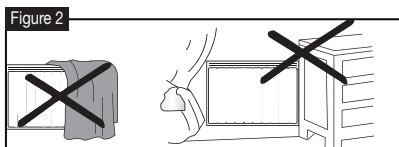
# 2 Planning the installation

- 1- Choose the location where the CONVECTAIR will be installed.
- 2- Check that nothing such as drapes or furniture interferes with the airflow to and from the CONVECTAIR ; see required clearances (Figure 1).
- 3- Make a note of the minimum required clearances for this heater and ensure that there are no restrictions before choosing the location.(see Figure 1).



**IMPORTANT :**  
**DO NOT COVER THE HEATER**

- The above logo warns of a risk : do not cover.
- Do not cover or obstruct the air intake or outlet on the unit as this could cause overheating and damage the heater.



### 3 Installation

**IMPORTANT:**

3 conductor wiring should be used if you are planning to use this unit with the CONVECTAIR Programmer (see Technical Sheet).

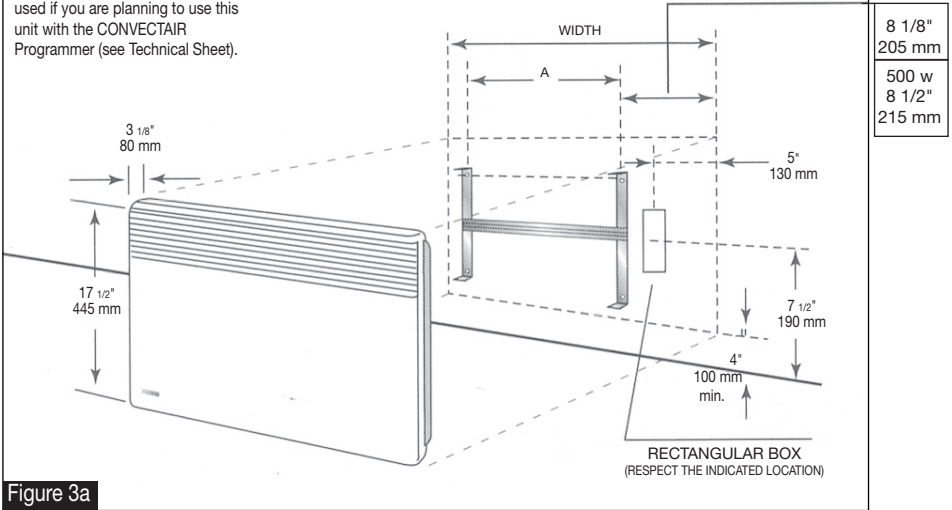


Figure 3a

- 1- Free mounting bracket by pressing and pulling both locking brackets.
- 2- Use the mounting bracket as a template by holding it against the wall flush to the floor. Use the B mark to locate the bottom fasteners. With the template the unit will be installed at 4 " (10 cm) from the floor (Figure 3a & 3b).
- 3- Relocate the mounting bracket to match the marks with the holes for the bottom fasteners.
- 4- Check horizontality of the mounting bracket then mark and pierce the 4 holes for fastening.
- 5- Replace mounting bracket and fasten it with screws and anchors if appropriate.

WATTS	Width		A	
	mm	in	mm	in
500	340	13 3/8	70	2 3/4
750	420	16 1/2	140	5 1/2
1000	500	19 5/8	180	7
1250	580	22 7/8	250	9 3/4
1500	660	26	320	12 5/8
1750	740	29 1/8	405	16
2000	820	32 1/4	405	16

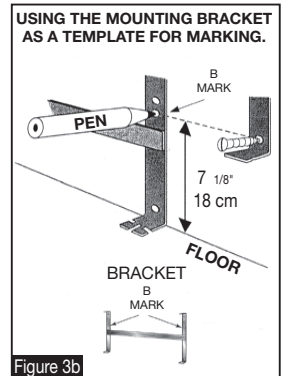


Figure 3b

## 4 Electrical Connection

CONVECTAIR recommends that this heater be installed in accordance with national and local codes.

- A rectangular junction box must be installed in the wall, prior to electrical hookup (Figure 3a). The box must be of appropriate size to receive the necessary electrical connections and the 2 3/4" x 4 1/2" (70mmx115mm) cover that is supplied with the unit cable.

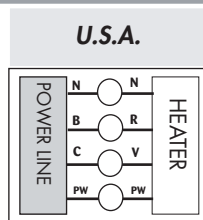
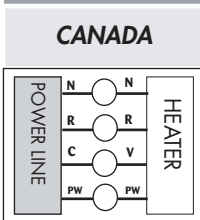
- To prevent short circuits and electrical shocks turn the power off at the main panel before attempting the installation or any repairs.
- If the power cable is damaged it must be replaced by the manufacturer, an approved service depot or a technician with similar qualifications.

**CAUTION :** This unit must be connected to a 240 volts or 208 volts circuit, 60 cycles. Disconnect power supply before making wiring connections to prevent electrical shock or equipment damage.

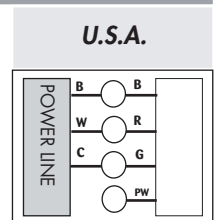
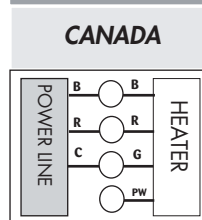
The unit must be hooked up with the rectangular junction box already installed in the wall.

- 1- Connect the ground wire (C) to the green wire (G) inside the connection box.
- 2- Connect the black (B) and red (R) leads from the heater to the electrical supply wires (see diagrams below).
- 3- You will find, on the supply cord, a fourth purple wire (PW) with a sealed end. This wire must not be used for the electrical connection. This wire will be used only if the unit is connected to a CONVECTAIR "Programmer" central control system.
- 4- Carefully put back all wires inside the box, close and screw the cover.
- 5- Hook the CONVECTAIR unit onto the mounting bracket tabs with the unit slightly angled towards you. Push the CONVECTAIR towards the wall until it is engaged on both locking brackets.

**WITH the use of a pilot wire (PW).**



**WITHOUT using a pilot wire (PW).**



B - Black    G - Green

R - Red    W - White

C - Copper

PW - Pilote Wire

## 5 How to use your heater

When the CONVECTAIR is on, it cycles every 80 seconds. The red indicator light tells you when heat is on. The CONVECTAIR will always remain warm and ambient temperature will remain constant. It is normal in very cold temperatures for the unit to become hot. Caution is advised when young children are present.

The control box function selector offers 4 different positions :



### Automatic functions :

To be used only when unit is connected to a CONVECTAIR central Programmer (optional). If no Programmer is present, this setting is identical to the comfort setting.



**Off :** Turns the heater OFF.



### Comfort Setting :

Select temperature by setting thermostat.



### Economy Setting :

Temperature is lowered by approximately 3,5°C (7°F) from your comfort setting. This allows you to setback without changing the comfort setting. this function is a manual setback for energy savings during sleeping hours or while the room is unoccupied.

**Frost Protection :** *If you wish to protect a room from freezing in case of a prolonged absence, set your function selector to the ☀ and your thermostat dial to \* , equivalent to approximately 7°C (45°F) (see Figure 4).*

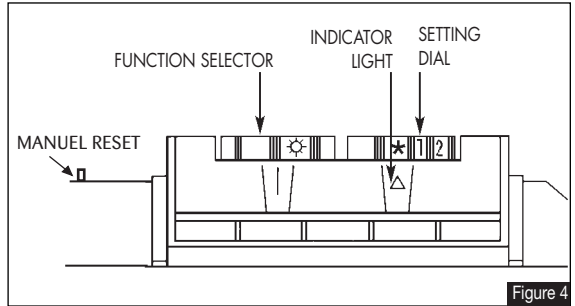


Figure 4

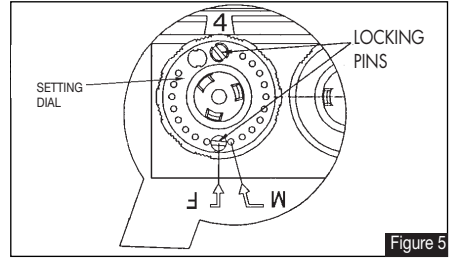
## Setting the thermostat

To set thermostat, adjust setting dial, on the control panel (Figure 4), to the desired comfort level (between 5 and 7).

After approximately an hour of use, if adjustment is not satisfactory, slightly turn the setting dial either clockwise to increase temperature or counter clockwise to lower it.

## Locking the setting dial :

First, detach the unit from the wall brackets. Behind the setting dial, two pins are provided. Remove the pins with pliers by rotating gently. To lock the setting dial, insert a pin in front of the "F" mark. To block the setting between the minimum and a desired maximum setting, insert a pin in front of the "M" mark (Figure 5).

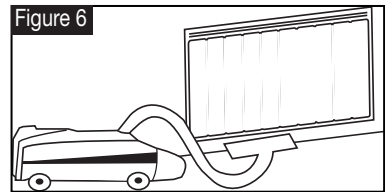


## Temperature limiting control :

This heater is equipped with a manual reset control. In case of a malfunction of the unit (blocked air output or intake, for example) the heater will stop heating automatically. After correcting the malfunction the heater can be reset. To restart the heater, push the button on the upper back panel of the heater.

## 6 Maintenance

To keep your CONVECTAIR unit clean, regular maintenance is suggested. To remove dust, use a soft cloth. To remove a stain, use a damp cloth. For a better performance and a maximum efficiency, it is suggested that dust and lint be regularly removed from the protective grille situated at the base of your Convectair (Figure 6).



**NEVER USE ABRASIVE OR ACETONE-BASED PRODUCTS TO CLEAN THE HEATER AS THIS MAY CAUSE DETERIORATION OF THE EPOXY FINISH.**

**ANY REPAIR ON YOUR CONVECTAIR HEATER SHOULD ONLY BE DONE BY A QUALIFIED TECHNICIAN AFTER DISCONNECTING THE HEATER.**

## Operation and Maintenance TIPS

Your CONVECTAIR heater will become hot when in use. Caution is advised when young children are present.

Do not insert small objects through the front louvers : this could cause electrical short-circuit, fire or damage to the inner components.

Any use or modifications not approved by CONVECTAIR may cause electrical short-circuits, fire or injuries to the users.

In certain cases, it is possible for yellowing of the grille to occur over time. This is not due to a manufacturing defect. This is caused by surrounding air, which contains smoke or dust, being heated and released through grille.


**Prevention :** it is suggested that grilles be frequently cleaned especially with units installed in locations where cigarette smoke is present or in the kitchen. Never use this heater during construction work or other activities that generate a lot of dust.

**Note :** The first time your CONVECTAIR heats, a light smoke could be released. This is normal and should disappear after about 2 to 3 minutes.

## 7 Diagnostics

### IF YOUR CONVECTAIR DOES NOT HEAT :

Before calling your electrician, please go through these simple checks:

- 1-** Make sure the breaker in the distribution panel is in the "ON" position.
- 2-** Check that the function selector switch is on  . Turn the setting dial to position 9.
- 3-** Check the overheat protection : first remove any obstruction from the inlet and outlet grilles ; then reset the overheat button (see : Temperature limiting controls).
- 4-** If the light is still off, and no heat is generated, call your electrician or the nearest CONVECTAIR repair center.

## 8 Warranty

- 2 years against all defects
- 5 years on heating element

All CONVECTAIR units are subject to a double warranty: 2 years on all parts and manufacturing defects and 5 years on the heating element itself. Warranty is applicable from date of purchase by the customer and under certain specific conditions. All details furnished with each unit. Please keep your invoice (purchase and/or installation).

---

### **REPAIR CENTERS :**

Contact CONVECTAIR for information regarding your closest repair center.

Toll-free : **1-800-463-6478**

---

# **CONVECTAIR**

30 Carré Sicard, Sainte-Thérèse QC, Canada J7E 3X6

Phone : 1-800-463-6478 Fax : (450) 434-3166

Email : [support@convectair.ca](mailto:support@convectair.ca)

[www.convectair.com](http://www.convectair.com)