



INSTALLATION AND CONNECTION

Installation height 6 in (15 cm).

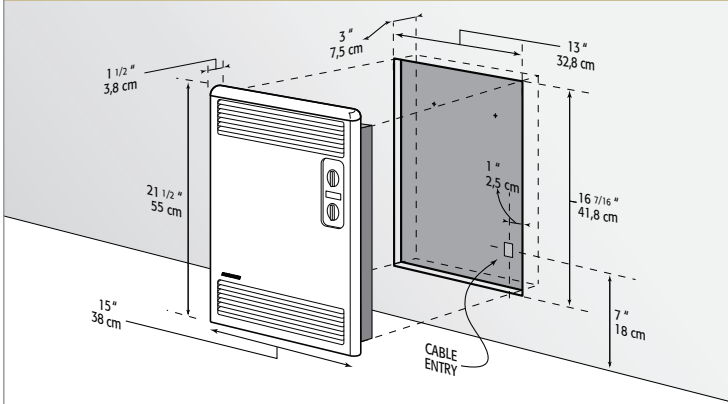
Clearances
 ■ **Front:** 20 in (50 cm) ◀ ▶ **Sides:** 6 in (15 cm) ▲ **Above:** 20 in (50 cm)

Installation Built into the wall between studs (minimum distance: 16 in (40,6 cm) centre)

Depth required: 3 in (7.5 cm) including wall surface (2 in X 3 in wall construction minimum).

Connection 240-V unit: Direct connection through bottom of unit. Removable front panel; installation and wiring through the front.

Note Visible thickness: 1 1/2 in (3,8 cm); total thickness: 4 5/8 in (11,6 cm)
 3-conductor cable or 2-conductor cable with a third wire should be used if unit is to be linked with the Convectair Programmer module (7392 FP).



Samba



35
convectair.com

Photo / page 10

HEATING ELEMENTS

- Total capacity** 2000W
- Convection (1 000W)** X-shaped, monoblock element made of surface-treated extruded aluminum.
- Fan-forced heat on demand (1 000W)** Low-thermal-mass heating element combined with low-pressure tangential blower.
- Thermal protection - Convection** Automatic reset overheat protection with warning light.
 - **Fan-forced heat** Resettable overheat protection. Reset by turning heater off.

TEMPERATURE CONTROL

- Electronic thermostat** Built-in 2-stage electronic proportional-action thermostat ultraprecise to 1/5°F (1/10°C) for convection heating. A drop of 5°F (3°C) in room temperature will automatically start the quick heat option.
- Timer** 0-30 minute resettable mechanical timer for quick heating.
- Programmer** Programmer-compatible, pilot wire only.

CONTROL PANEL

- Location** Located in the front of the unit. (Commercial version: concealed controls).
- Switch** On/Off switch, also serves as reset for overheat protection.
- Dial**
 - 1 Thermostat control.
 - 2 Timer dial.
- Indicator light** Heating and overheat indicator light

CABINET

- Steel** construction with polyester/epoxy anti-rust powder coating.
- Cabinet** with thin profile splash-proof construction with rounded edges.
- Louvers** Front-louvered air outlet that hides the unit interior and directs heat towards the centre of the room.
- Color** **BB** = White **GR** = Greige (commercial version only).

MODEL	Catalog No.	Color	Power		Height		Width		Thickness		Weight	
			240-V	208-V	cm	in	cm	in	cm	in	kg	lb
SAMBA ②	7835-C20	BB	1 000 -2 000 W		55	21 1/2	38	15	3,8	1 1/2	8.8	19,4
SAMBA ② COMMERCIAL VERSION	7836-C20	GR	1 000 -2 000 W		55	21 1/2	38	15	3,8	1 1/2	8.8	19,4

② Compatible with the Programmer system (see technical specifications for catalogue number 7392).

For guaranteed, dependable operation, we recommend that all units be installed by a licensed electrical contractor. Consult **convectair.com** to find the most recent installation instructions for our heaters.

