

Allegro Duo

convectair.com



Photos / pages 4, 5 & 17

INSTALLATION AND CONNECTION

Installation height 4 in (10 cm).

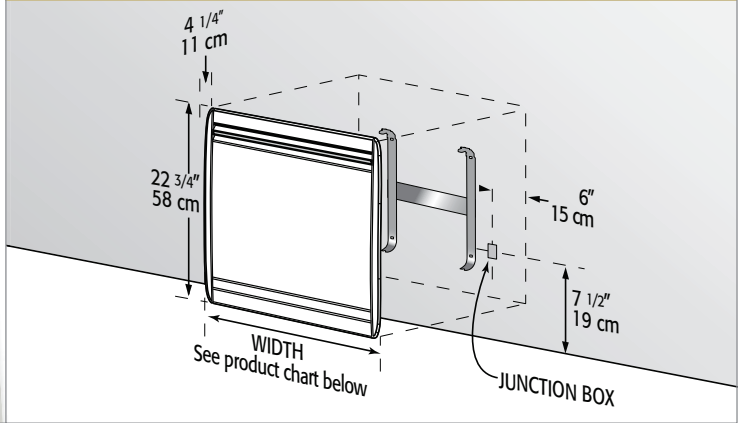
Clearances

■ **Front:** 30 in (75 cm) ◀ **Sides:** 6 in (15 cm) ▲ **Above:** 6 in (15 cm).

Installation Quick-mounted surface installation with easy snap-on bracket, that also serves as marking template.


Connection 240-V unit: Flexible cord connection, including junction box cover. Installation requires 2 in X 3 in wall box (not included).


Note 3-conductor cable or 2-conductor cable with a third wire should be used if unit is to be linked with the Convectair Programmer module (7392 FP).



HEATING ELEMENTS


Total capacity 1000 to 2000W (combined-heating):

 **Radiant heat** (200 to 400W) Radiant front panel with integrated surface element.

 **Convection** (800 to 1600W) X-shaped, monoblock element made of surface-treated extruded aluminum.

Thermal protection Manual reset overheat protection.


TEMPERATURE CONTROL

 An intelligent system that manages both heating elements, for the comfort of radiant heating and the power of convection.

Electronic thermostat Built-in electronic proportional-action thermostat ultraprecise to 1/5°F (1/10°C).

Programmer Control panel designed to accept the 7392 Programmer module.

CONTROL PANEL "Selection of scale of temperature - C or F."

 **Location** Located on top right hand side of the unit with lockable protective cover.

LCD display with lockable digital controls.

Key 1 On/Off switch.

Key 2 4-Operating mode selection key: Comfort; Economy; Frost protection (45°F (7°C)); Program (automatic setback when connected to the Convectair Programmer).

« + and - » **Keys** Set the temperature and lock the controls.

Indicator light Heating indicator light.

CABINET

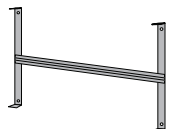
 **Steel construction** with polyester/epoxy anti-rust powder coating.

Cabinet Bottom-mounted protective pan with rounded edges and built-in side wire covers.

Louvres Front-louvered air outlet that hides the unit interior and directs heat towards the centre of the room.

Color BB = White

MODEL	Catalog No.	Color	Power		Height		Width		Thickness		Weight	
			240-V	208-V	cm	in	cm	in	cm	in	kg	lb
ALLEGRO DUO ② (SP)	7791-C10	BB	1 000 W	750 W	58	22 3/4	60,5	23 7/8	11	4 1/4	11,5	25,4
	7791-C15	BB	1 500 W	1 250 W	58	22 3/4	92,5	36 3/8	11	4 1/4	16	35,3
	7791-C20	BB	2 000 W	1 500 W	58	22 3/4	116,5	46	11	4 1/4	19,5	43



WIDTH / BRACKET		
1 000 W	1 500 W	2 000 W
9 3/4 in	20 1/4 in	31 in
25 cm	51,8 cm	78,8 cm

② Compatible with the Programmer system (see technical specifications for catalogue number 7392).

(SP) Control panel is designed to accept the 7392 Programmer module.

For guaranteed, dependable operation, we recommend that all units be installed by a licensed electrical contractor. Consult convectair.com to find the most recent installation instructions for our heaters.

